



**OUTLAND
TECHNOLOGY
INC.**

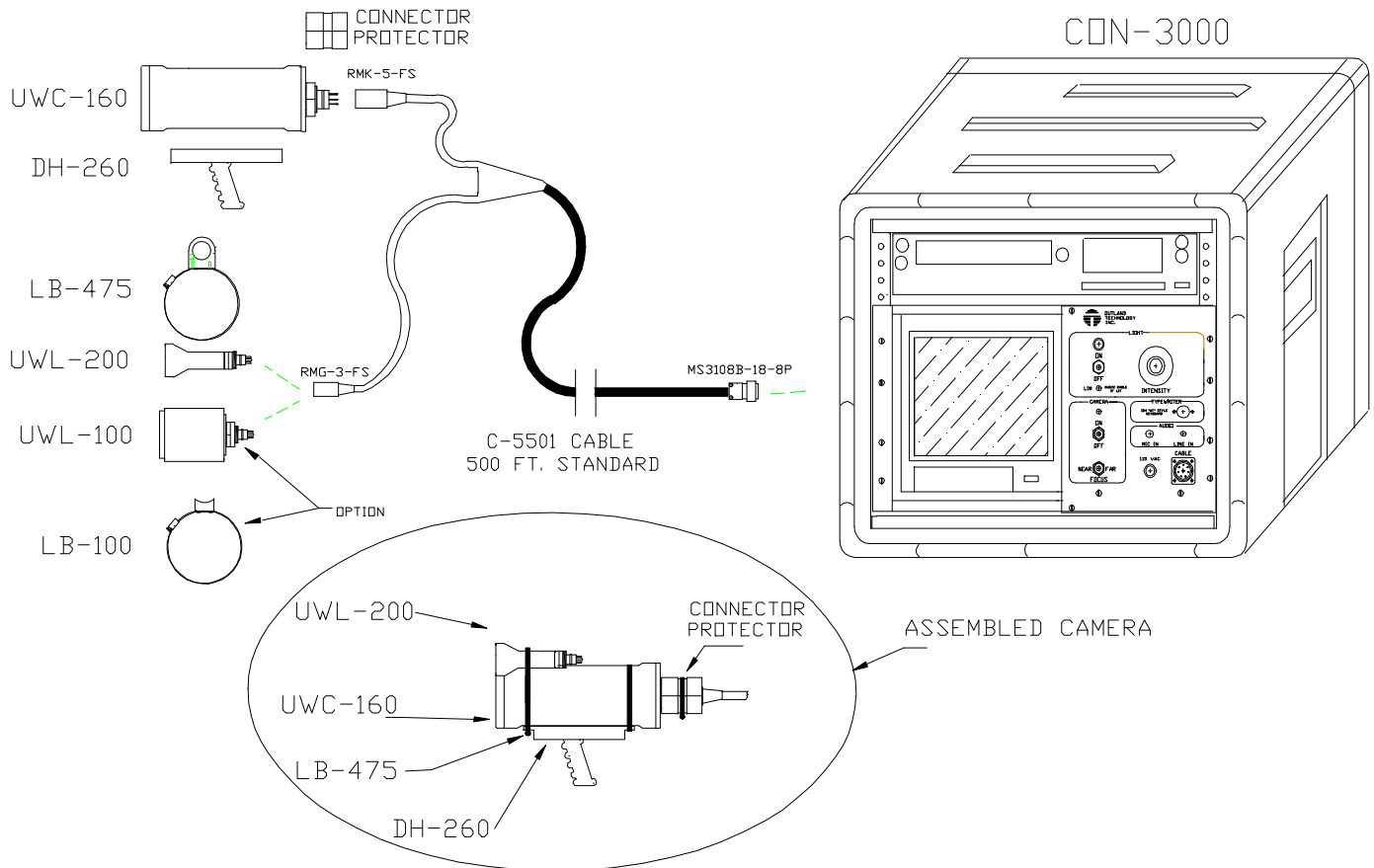
REMOTE FOCUS COLOR VIDEO SYSTEM MODEL UWS-6010/6020

(NTSC) (PAL)

COMPLETE UNDERWATER VIDEO SYSTEM

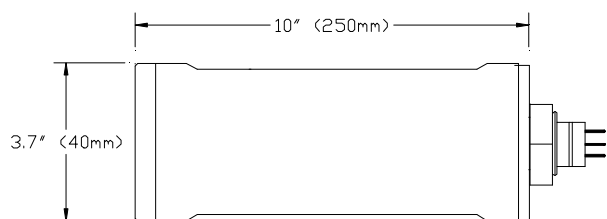
0010574b

July 98



STANDARD SYSTEM INCLUDES:

- UWC-160, remote focus, Color Camera
- UWL-200, 150 watt light
- LB-475, DH-260, mounting brackets
- C-5501, 500 ft, cable w/all connectors
- CON-3000, 10" Color Monitor, VHS VCR, Power supply. All mounted in a weather-resistant shipping case.

MODEL UWS-6010/6020**COMPLETE UNDERWATER VIDEO SYSTEM****TECHNICAL SPECIFICATIONS****CAMERA, MODEL UWC-160****MECHANICAL:**

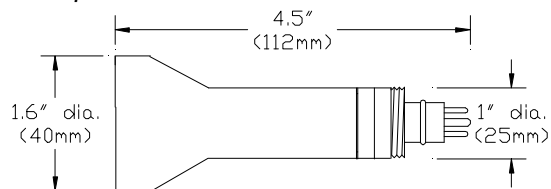
- Weight..... 4.7 lbs.(2.1kg) Dry, .8 lbs.(.36kg) Wet.
- Depth Rating...3300 ft. (1000m).
- Housing.....6061-T6 hard coat anodized Aluminum

ELECTRICAL:

- Image Device.. 1/2" Hyper Had CCD sensor.
- Sensitivity..... 2 lux object, .2 lux on CCD
- Resolution..... 380 TV lines standard (480 Opt.)
- Video Out..... 1.2 Vpp, NTSC standard (PAL option).
- Power..... 12 VDC @ 270 ma.

OPTICAL:

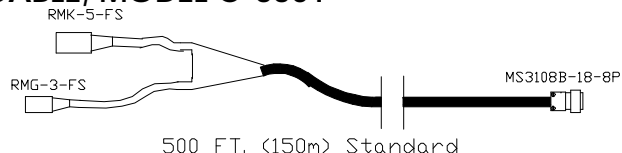
- Lens..... 6mm, f1.3, Auto-Iris (CS mount)
- Focus..... Remote from .5" to Infinity.
- Angle of View..... 58 Horz. x 44 Vert. degrees.

LIGHT, MODEL UWL-200**MECHANICAL:**

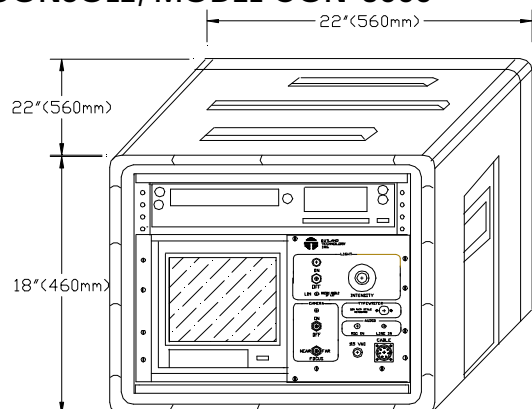
- Weight..... 21oz. (.6 kg) Dry, 20 oz.(.48 kg) Wet.
- Depth Rating..... 3300 ft. (1000m).
- Housing.....17-4 Stainless

ELECTRICAL:

- Power..... up to 150 watts
- Color Temp..... 3000k
- Bulb..... Q150/cl/mc std., (75 & 100 Opt.)

CABLE, MODEL C-5501

- Conductors..... 3 ea. #18, 4 ea. #20 awg, 1 RG-59 Coax
- Length..... 500 ft. (150m) Standard
- Diameter..... .5" (12.5 mm)
- Materials..... Yellow, Polyurethane jacket.
- Interstices..... Water Blocked

CONSOLE, MODEL CON-3000

- Weight..... 90 Lbs. (40kg)
- Power..... 110 VAC/60Hz, fused at 5 amperes. (4020. 110/220 VAC 50/60 Hz.)
- Light Control..... Variable control 0-100%, 0-250 watts.
- Monitor..... 10" Color w/audio.
- Safety..... GFI for main power, LIM to monitor umbilical, Isolation transformer for light.
- Connections..... Front panel connections for umbilical, Audio & Mic.
- VCR..... VHS format (standard)

OPTIONS:**•Camera,**

1. 480 Line resolution.
2. 4mm, 12mm lens.
3. Optional connectors
4. Long Line Amp for up to 5Kft.

•Light,

1. UWL-100, 250 watt light.

•Cable,

1. User Specified cable lengths.

•Recorder,

1. S-VHS, 400 line recorder.
2. Hi-8mm, 400 line recorder.

•Booster,

For cable over 1500 ft. to 3000 ft. Mounts in console.

•Video Typewriter,

Time/Date, 10 pages of text, and digital control of all cameras.