



**OUTLAND
TECHNOLOGY
INC.**

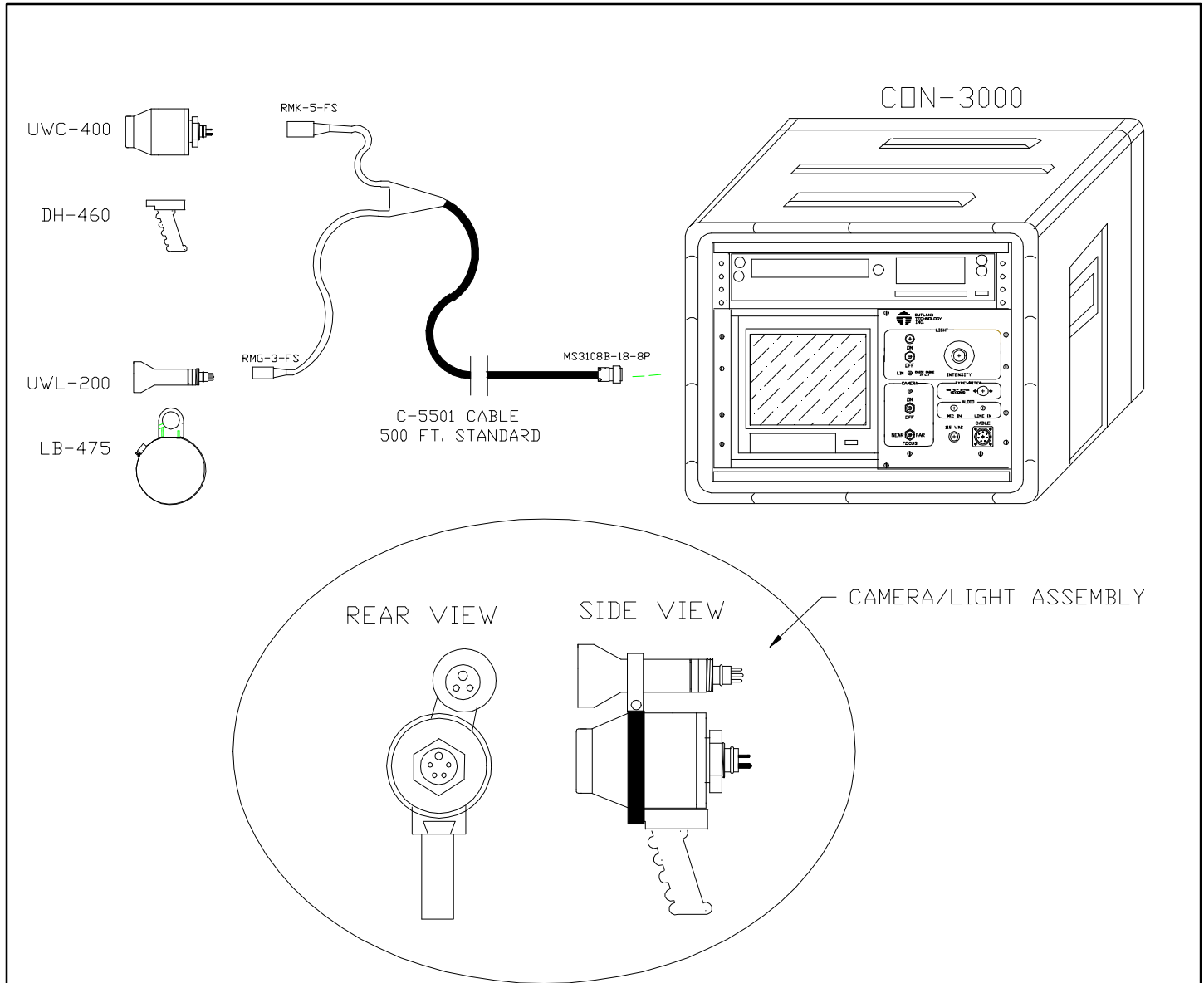
0010542b

FIXED FOCUS COLOR VIDEO SYSTEM MODEL UWS-4010/4020

(NTSC) (PAL)

COMPLETE UNDERWATER VIDEO SYSTEM

July98



STANDARD SYSTEM INCLUDES:

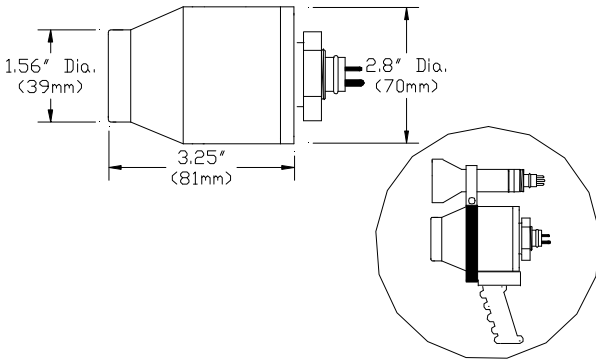
- UWC-400, Fixed focus, Color Camera
- UWL-200, 150 watt light
- LB-475, DH-460, mounting brackets
- C-5501, 500 ft, cable w/all connectors
- CON-3000, 10" Color Monitor, VHS VCR, Power supply. All mounted in a weather-resistant shipping case.

MODEL UWS-4010/4020

COMPLETE UNDERWATER VIDEO SYSTEM

TECHNICAL SPECIFICATIONS

CAMERA, MODEL UWC-400



MECHANICAL:

- Weight..... 30oz. (.85kg) Dry, 20 oz.(.56kg) Wet.
- Depth Rating...3300 ft. (1000m).
- Housing.....17-4 Stainless

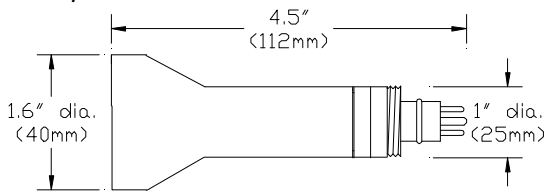
ELECTRICAL:

- Image Device.. 1/3" CCD sensor (512h x 492v).
- Sensitivity..... 2.5 lux object, .2 lux on CCD
- Resolution..... 330 TV lines standard
- Video Out..... 1.2 Vpp, NTSC standard (PAL option).
- Power..... 12 VDC @ 200 ma.

OPTICAL:

- Lens..... 4.2mm, f2.5, Electronic-Iris
- Focus..... Fixed, 6" to Infinity
- Angle of View..... 65 Horz. x 55 Vert. deg. (in water).

LIGHT, MODEL UWL-200



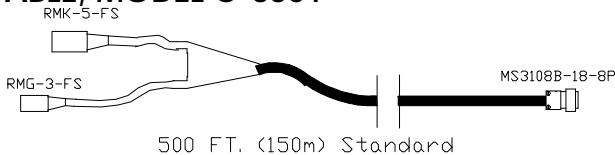
MECHANICAL:

- Weight..... 21oz. (.60kg) Dry, 20 oz.(.48kg) Wet.
- Depth Rating..... 3300 ft. (1000m).
- Housing.....17-4 Stainless

ELECTRICAL:

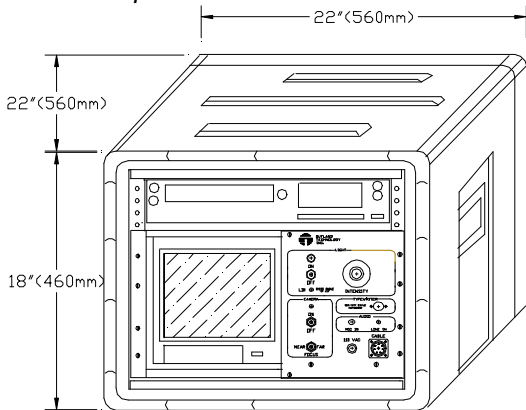
- Power..... up to 150 watts
- Color Temp..... 3000k
- Bulb..... Q150/cl/mc std., (75 & 100 Opt.)

CABLE, MODEL C-5501



- Conductors..... 3 ea. #18, 4 ea. #20 awg, 1 RG-59 Coax
- Length..... 500 ft. (150m) Standard
- Diameter..... .5" (12.5 mm)
- Materials..... Yellow, Polyurethane jacket.
- Interstices..... Water Blocked

CONSOLE, MODEL CON-3000



- Weight..... 90 Lbs. (40kg)
- Power..... 110 VAC/60Hz, fused at 5 amperes. (4020. 110/220 VAC 50/60 Hz.)
- Light Control..... Variable control 0-100%, 0-250 watts.
- Monitor..... 10" Color w/audio.
- Safety..... GFI for main power, LIM to monitor umbilical, Isolation transformer for light.
- Connections..... Front panel connections for umbilical, Audio & Mic.
- VCR..... VHS format (standard)

OPTIONS:

- | | | | |
|----------|----------------------------------|--------------------|-------------------------------------|
| •Camera, | 1. 6mm, 12mm lens. | •Recorder, | 1. S-VHS, 400 line recorder. |
| | 2. Optional connectors | | 2. Hi-8mm, 400 line recorder. |
| | 3. Long Line Amp for up to 5Kft. | •Booster, | For cable over 1500 ft. to 3000 ft. |
| •Light, | 1. UWL-100, 250 watt light. | | Mounts in console. |
| •Cable, | 1. User Specified cable lengths. | •Video Typewriter, | Time/Date, 10 pages of text, |
| | | | and digital control of all cameras. |